



Sveaverken

Sweep auger 152 Carry In

**Grain transport
in round silo with
flat bottom**

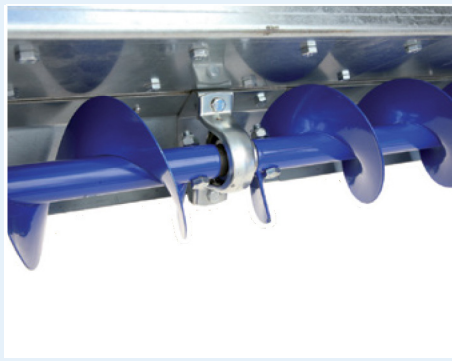


Sweep auger 152 Carry In

- Drive unit with worm geared motor, galvanized rigid beam and intermediate bearings secures a long life time
- Capacity 25 tons of wheat per hour
- User friendly with handles in both ends for lifting makes it easy to Carry In to each round silo through the man hole
- The drive unit of the auger could be quoted with an ATEX-approved solution



Worm geared motor with rigid handle/ protection.



Extension with intermediate bearing.



End part with rubber wheel and handle for lifting (on upper side).

Assortment

The sweep auger Carry In is designed according to the building kit principle. In the assortment there is also a stationary sweep auger 200 together with a system of discharge auger to unload a round silo when higher capacities are needed.

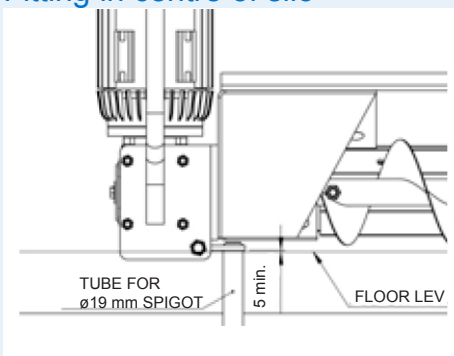
Design

An auger is built up with: drive unit, extensions in standard lengths and end unit with driving wheel and handle. A spigot underneath the drive unit is fitted in to the centre of the round silo. The rotating spiral "sweeps" the grain to the centre pit and in the same time driven around along the inside of the silo wall by the turning wheel.

Features

In both the ends the auger has rigid handles making it easy to Carry In. Each extension is equipped with intermediate bearings and the spiral has a powder painted coating to stand the environment. The sweep auger is delivered in the right length just to assemble.

Fitting in centre of silo



Technical data

Max length, m	7,5
Type of drive unit	Worm geared motor
Power, kW	1,1
Capacity, t/h	25*
Spigot of diameter, mm	19
Spiral, rpm	280
Diameter spiral, mm	133
Pitch, mm	135
Diameter of drive wheel, mm	150

*Capacity: Wheat 0,75t/m³, max humidity 15% rH. Higher humidity and not clean grain, capacity will drop.

Standard lengths of auger

Diameter silo, mm	Length auger, mm**
5350	2555
6240	3000
7130	3445
8020	3890
8010	4335
9800	4780
10700	5230
11590	5675
12480	6120
13370	6565
14260	7010
15150	7455

**From spigot/centre silo to outside wheel.

